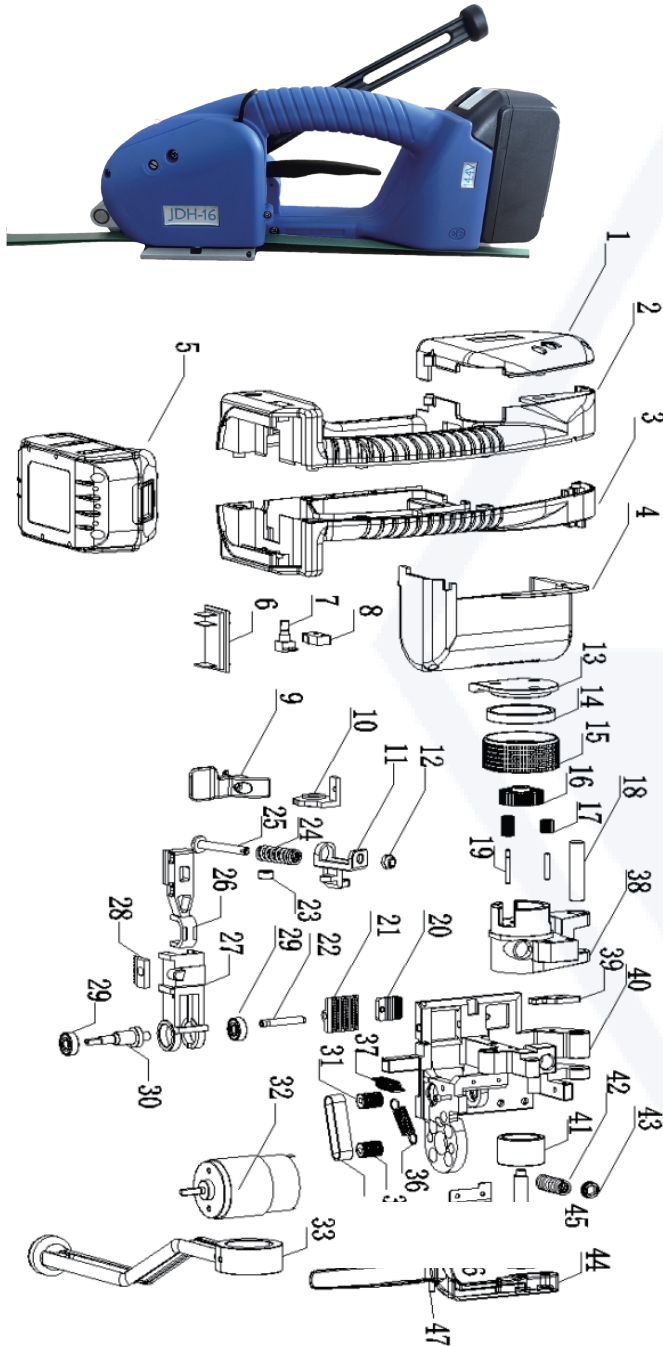




# Exploded Views\_JDH-16

last update:12/12/2020



No.	Part name	Material Code	Qty.	No.	Part name	Material Code	Qty.
1	Left side cover	JD-H16-S01	1	26	Upper friction part	JD-DB-023	1
2	Left side housing	JD-H16-S02	1	27	Washboard cavity	JD-DB-024	1
3	Right side housing	JD-H16-S03	1	28	Toothed knife	JD-DB-011	1
4	Right side cover	JD-H16-S04	1	29	606 Bearing	.	2
5	Battery	JD-H16-E02	1	30	Eccentric shaft	JD-DB-005	1
6	Battery connector	JD-H16-S05	1	31	Synchronous wheel	JD-DB-15-1	1
7	Potentiometer	.	1	32	Electric machinery	JD-H16-E03	1
8	The micro switch	.	1	33	Tighten rocker	JD-H16-11	1
9	Welding handle	JD-H16-12	1	34	Synchronous belt	.	1
10	Holding down cam	JD-DB-022	1	35	Synchronous wheel (A)	JD-DB-015	1
11	Spring mounting groove	JD-H16-09	1	36	Drag spring (A)	.	1
12	M6 Antis kid nut	.	1	37	Drag spring (B)	.	1
13	Gear cover	JD-H16-04	1	38	Gear cavity	JD-H16-02	1
14	Tighten the copper sleeve	JD-H16-08	2	39	Front limit block	JD-H16-17	1
15	Tightening wheel	JD-H16-03	1	40	Main chamber	JD-H16-01	1
16	Sun wheel	JD-H16-05	1	41	FC25 Bearing	.	2
17	Planet gear	JD-H16-07	3	42	Spring for pressing strapping	.	1
18	Front connecting pin	JD-H16-13	1	43	Plug screw	.	1
19	3.0 Gear fixing pin	JD-H16-15	3	44	Handle	JD-H16-10	1
20	Toothed plate	JD-DB-010	1	45	Fastening shaft	JD-H16-06	1
21	Lower friction part	JD-DB-029	1	46	Rocker block	JD-H16-18	1
22	5.0 Inner tooth pin	.	1	47	Handle pin	JD-H16-19	1
23	Cam rotor	JD-DB-017	1	48			
24	Pressure spring	.	1				
25	(M6) Flat head pin	JD-DB-003	1				